

FM-104  
FM-104-H

# MULTI-JET WATER METER

## Salient Features:

- ISO 4064 Class-B
- Extra Dry Dial.
- Hermetically sealed register ensures that all internal parts are clean and prevents fogging throughout the entire lifetime of the meter.
- Robust copper alloy body to pass the strongest resistance tests in both static & dynamic conditions.
- Shock-resistant material for register and closure.
- High performance magnetic transmission ensures no part of the register is in contact with water.
- Interchangeable spare parts for easy online maintenance.
- High sensitivity, low pressure loss.
- Double Strainers - inlet & Internal are standard.
- Available for both cold and hot water.
- 100% of the products are calibrated and all calibration results can be provided.

## Conformity to Standards and Codes:

Design: IS 779 / ISO 4064

Meter Testing: Approved as per IS 779

Confirms to IS 6784 / ISO 4064 / OIML R-49

Size Range: 15mm (½") to 50mm (2")

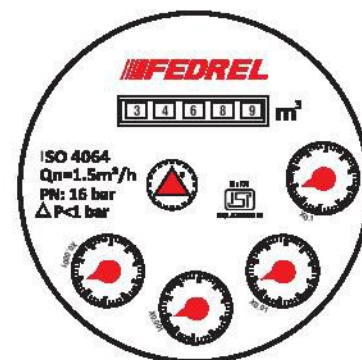
## Working Temperature Ratings:

For cold <45°C

For hot <90°C

## Applications:

- Apartments & residences
- Industries
- Agriculture



# FEDREL

DOC.NO: VAV-C-1016; REV.NO:02; DATE: 19-06-2017



Si'Tarc  
Not for Profit Registered Society



12  
months  
WARRANTY



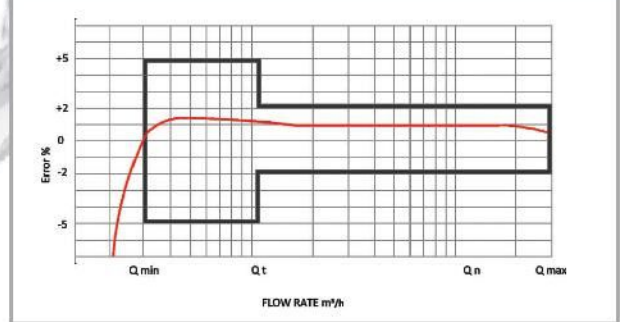
CM/L-970000109

www.fedrelflowmeters.com

## METROLOGICAL DATA

Meter Size (mm)	Class	Q <sub>max</sub> l/h	Q <sub>n</sub> l/h	Q <sub>t</sub> l/h	Q <sub>min</sub> l/h	Max Pressure (Bar)	Min. Reading	Max. Reading
15	B	3000	1500	120	30	16	0.0001	99999.9999
20	B	5000	2500	200	50	16	0.0001	99999.9999
25	B	7000	3500	280	70	16	0.0001	99999.9999
40	B	20000	10000	800	200	16	0.001	99999.9999
50	B	30000	15000	1200	300	16	0.001	99999.9999

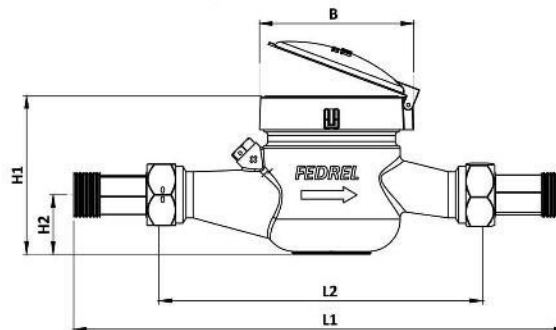
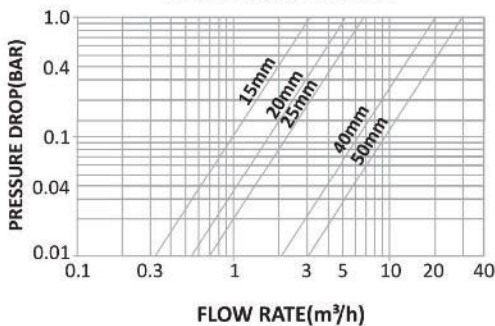
## ACCURACY CURVE



## DIMENSIONS

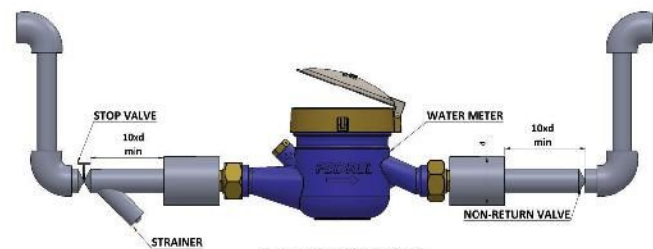
Meter Size (mm)	Length (mm)		B(mm)	H1+H2(mm)	Connecting Thread(DN)
	L1(with nipples)	L2 (without nipples)			
15	250	165	99	104	G 3/4B
20	290	190	99	106	G 1B
25	380	260	104	120	G.1.25 B
40	430	300	125	155	G 2B
50	470	330	125	155	G 2.5 B

## HEAD LOSS CHART



## WARRANTY

All meters are warranted against any manufacturing defect for a period of 12 months from date of supply, provided the meter has not been misused, damaged, installed for services it is not recommended or the seal has been tampered with. The company shall be liable to furnish part/ parts thereof or full water meter as the company may deem fit.



d = nominal size of water meter  
U-TYPE INSTALLATION DIAGRAM

## V.A. VALVES

(FLOW METERING DIVISION)

ISO 9001-2008 Certified

Regd. Office & Works: Udyog Nagar, Gadaipur, Jalandhar City -144 004

Authorized Stockist

Due to continuous development program, design and data in this leaflet are subject to change without prior notice.

Our associates:



PIONEERING FLUID CONTROLS